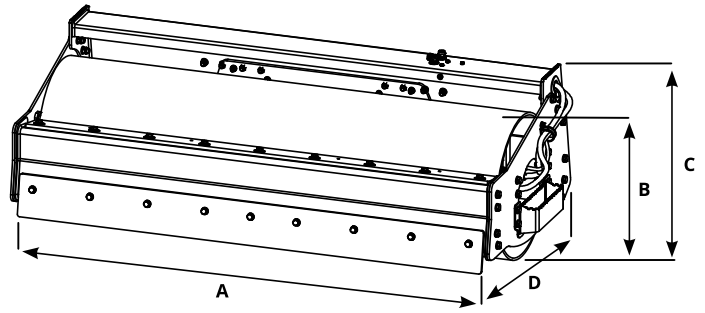




ROLLER VRM

SMOOTH DRUM



MODEL	VRM120	VRM140	VRM160	VRM180	VRM200
A (mm)	1200	1400	1600	1800	2000
B (mm)	560	560	610	610	610
C (mm)	605	605	700	700	700
D (mm)	860	860	970	970	970
Without coupling weight Kg	420	460	750	810	880
Pressure MIN. / MAX. (BAR)	180 / 220	180 / 220	180 / 220	180 / 220	180 / 220
Centrifugal force (kN) 2.000	6	7	8	8	11
Centrifugal force (kN) 2.500	9	11	12	13	17

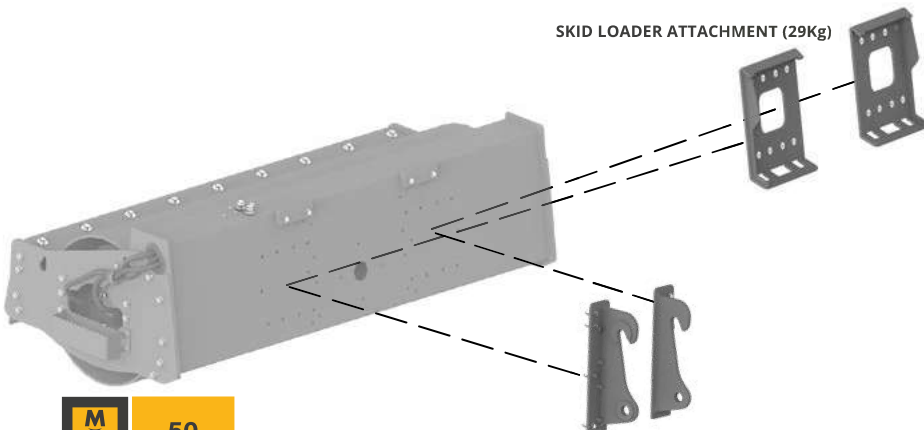
NO FLOW CONTROL VALVE

Engine (CC)	11	14	17	22	11	14	17	22	17	22	26	30	17	22	26	30	17	22	26	30
Hydraulic Fluid Flow Rate (L/Min)	25 30	31 39	38 47	49 61	25 30	31 39	38 47	49 61	38 47	49 61	58 72	67 83	38 47	49 61	58 72	67 83	38 47	49 61	58 72	67 83
Rev/min (RPM)	2000 2500		2000 2500		2000 2500		2000 2500		2000 2500		2000 2500		2000 2500		2000 2500		2000 2500		2000 2500	
Vibration frequency (HERTZ)	33 42		33 42		33 42		33 42		33 42		33 42		33 42		33 42		33 42		33 42	

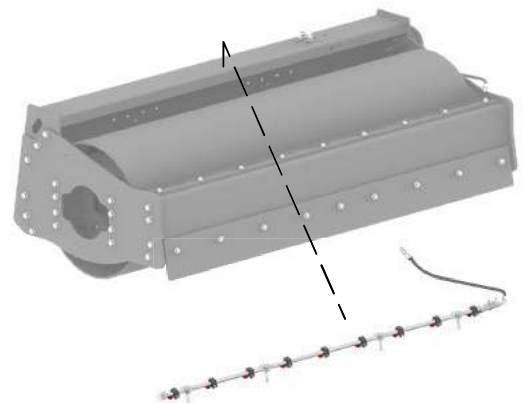
YES FLOW CONTROL VALVE

Engine (CC)	11	11	17	17	17
Hydraulic Fluid Flow Rate (L/Min)	27	27	41	41	41
Rev/min (RPM)	2200	2200	2200	2200	2200
Vibration frequency (HERTZ)	37	37	37	37	37
Centrifugal force (kN)	7	9	10	11	14

SKID LOADER ATTACHMENT (29Kg)



WHEEL LOADER ATTACHMENT (31Kg)



NOZZLE BAR KIT



50

4.3 version