

# CLAMSHELL BUCKETS

## CLA-L · CLA-MR

HANDLING OF SAND AND LOOSE MATERIALS

COMPATIBLE WITH

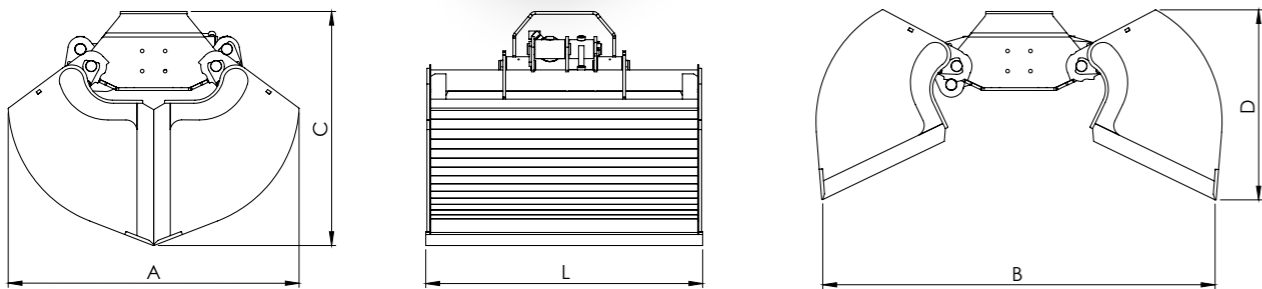


EXCAVATORS  
TRUCK CRANES



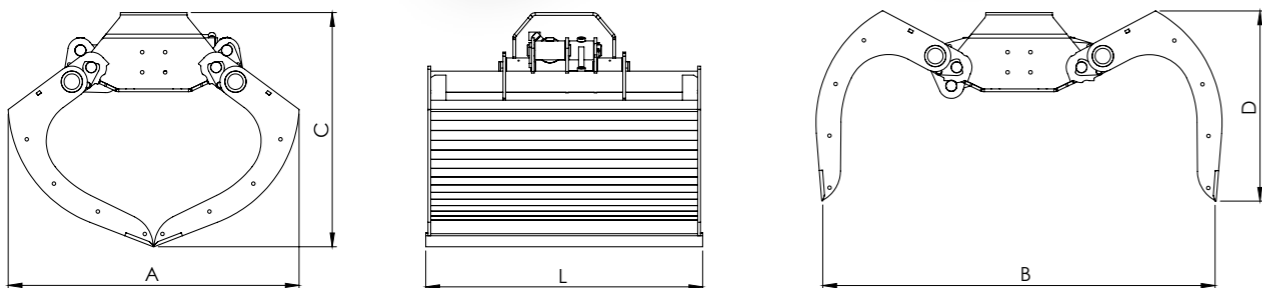
### CLA-L

closed side walls



### CLA-MR

open side walls



EXCAVATORS	TON	1-2		2-3,5				3,5-5	
MODEL		CLA-L 126	CLA-MR 126	CLA-L 206	CLA-MR 206	CLA-L 321	CLA-MR 321	CLA-L 401	CLA-MR 401
SIDE WALLS		CLOSED	OPEN	CLOSED	OPEN	CLOSED	OPEN	CLOSED	OPEN
CAPACITY (MAX LOAD)	lt (kg)	110 (220)	110 (220)	180 (360)	180 (360)	320 (640)	320 (640)	400 (800)	400 (800)
WEIGHT	kg	168	155	192	179	210	192	230	212
CLAMPING FORCE	daN	1850	1850	1850	1850	1740	1740	1740	1740
MAX PRESSURE	bar	250	250	250	250	250	250	250	250
A	mm	860	860	860	860	1050	1050	1050	1050
B	mm	1150	1150	1150	1150	1413	1413	1413	1413
C	mm	699	699	699	699	844	844	844	844
D	mm	616	616	616	616	685	685	685	685
L	mm	500	500	800	800	800	800	1000	1000

### OPTIONAL



RECOMMENDED  
HYDRAULIC  
ROTATORS

GR 30 PF	GR 30 PF	GR 30 PF	GR 30 PF	GR 465	GR 465	GR 465	GR 465
----------	----------	----------	----------	--------	--------	--------	--------

All available rotators can be found on pages 42-46.



BOLTED SIDE  
WALLS  
Only for CLA-MR  
models



REMOVABLE  
WELDED  
TEETH



BOLTED  
HOOK

EACH PIN IS EQUIPPED  
WITH A DUST RING

BLADES AND  
COUNTER-BLADES  
IN HIGH-QUALITY WEAR  
RESISTANT STEELS

LOCK VALVE INCLUDED,  
WHICH ENSURES THAT THE  
BUCKET REMAINS CLOSED  
EVEN IF A HOSE BREAKS

# CLAMSHELL BUCKETS CLA-S · CLA-SR

HANDLING OF LOOSE MATERIAL,  
MUD RUBBLE, DIGGING

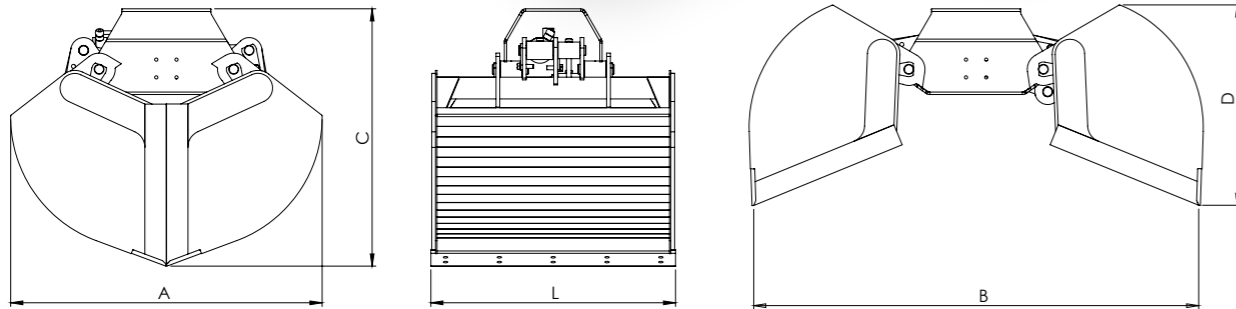
COMPATIBLE WITH



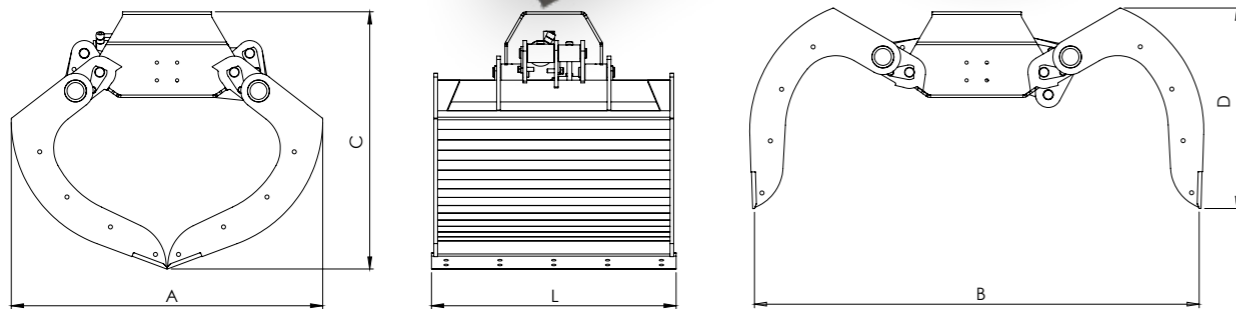
EXCAVATORS  
TRUCK CRANES



**CLA-S**  
closed side walls



**CLA-SR**  
open side walls



EXCAVATORS	TON	4-6		6-8		8-12		12-16	
MODEL		CLA-S 303	CLA-SR 303	CLA-S 403	CLA-SR 403	CLA-S 503	CLA-SR 503	CLA-S 653	CLA-SR 653
SIDE WALLS		CLOSED	OPEN	CLOSED	OPEN	CLOSED	OPEN	CLOSED	OPEN
CAPACITY (MAX LOAD)	lt (kg)	370 (2000)	370 (2000)	480 (2500)	480 (2500)	610 (3000)	610 (3000)	730 (3000)	730 (3000)
WEIGHT	kg	356	316	380	340	410	370	440	400
CLAMPING FORCE	daN	2500	2500	2500	2500	2500	2500	2500	2500
MAX PRESSURE	bar	250	250	250	250	250	250	250	250
A	mm	1272	1272	1272	1272	1272	1272	1272	1272
B	mm	1818	1818	1818	1818	1818	1818	1818	1818
C	mm	1051	1051	1051	1051	1051	1051	1051	1051
D	mm	818	818	818	818	818	818	818	818
L	mm	640	640	800	800	1000	1000	1200	1200

## OPTIONAL



RECOMMENDED  
HYDRAULIC  
ROTATORS

GR 465	GR 465	GR603DB	GR603DB	GR104DB	GR104DB	GR16S	GR16S
--------	--------	---------	---------	---------	---------	-------	-------

All available rotators can be found on pages 42-46.



BOLTED SIDE  
WALLS  
Only for CLA-SR  
models



BOLTED  
TEETH



BOLTED  
HOOK

EACH PIN IS EQUIPPED  
WITH A DUST RING

BLADES AND  
COUNTER-BLADES  
IN HIGH-QUALITY WEAR  
RESISTANT STEELS

LOCK VALVE INCLUDED,  
WHICH ENSURES THAT THE  
BUCKET REMAINS CLOSED  
EVEN IF A HOSE BREAKS